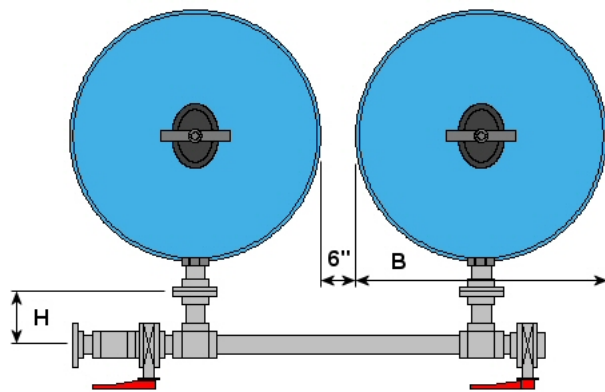
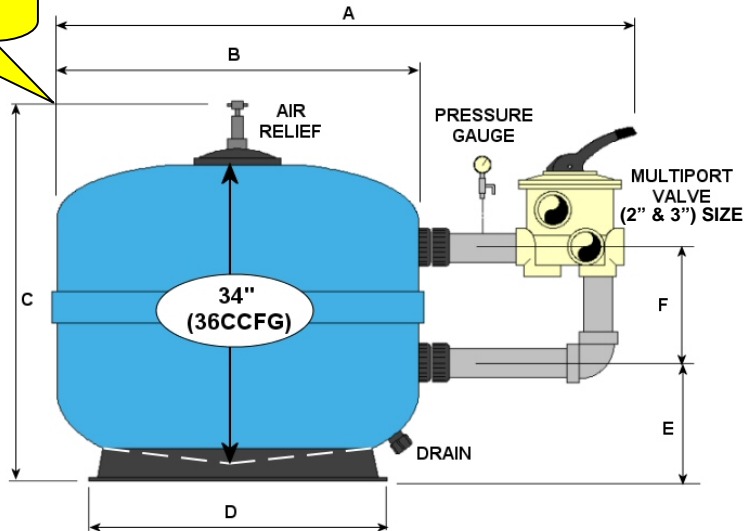
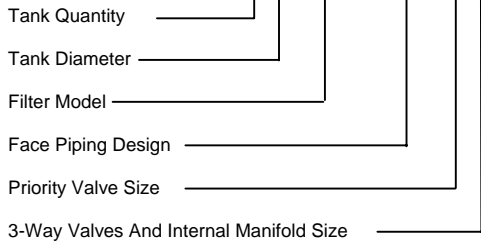


# Model CCFG Legacy Fiberglass Sand Filters

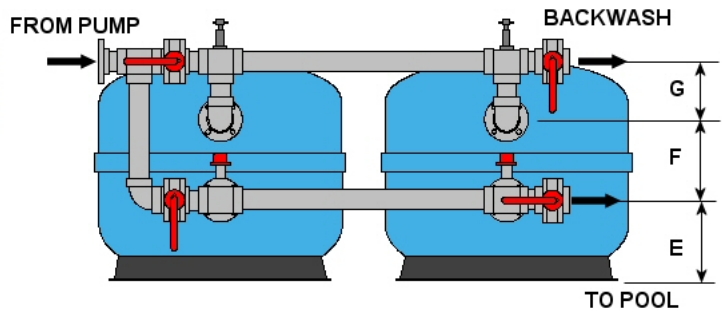
## Face Piping Configurations

36" Filters fit through standard doors!

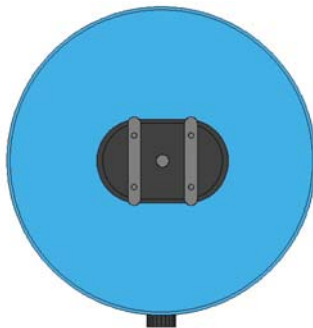
### FILTER MODEL NO. (\*)36CCFG-3WLO-6x3



Models 36 & 42CCFG include 6"x9" access port.



Shown with standard face piping.



Models 48CCFG includes a 14"x18" access manway.

Face Piping Dimensions			
Dimen- sions	Face Piping Size (inches)		
	Dual Tank		
	3x3	4x3	6x3
G	7	8	13
H	7	8	13

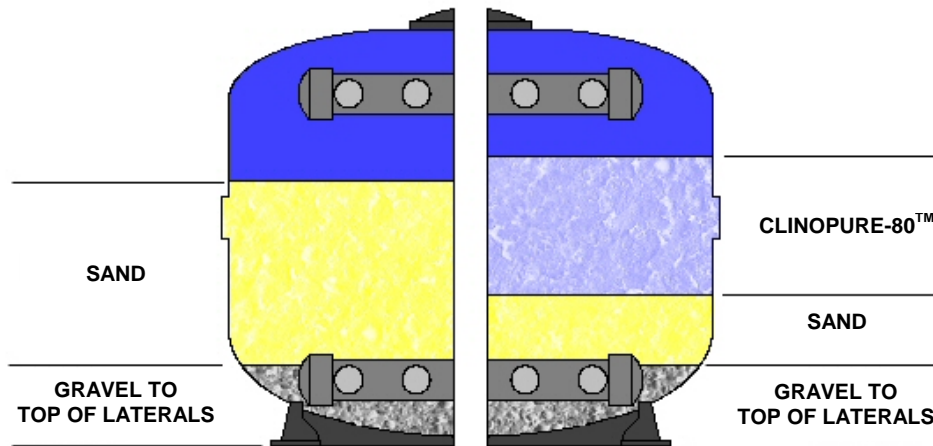
All dimensions are in inches.

### Face Piping Definition:

- MPA = Multiport valve auto
- MPM = Multiport valve manual
- 3WA = 3-way auto w/ FP
- 3WAM = 3-way auto w/ MFP
- 3WE = 3-way auto
- 3WEFC = 3-way electric w/ FC
- 3WLO = 3-way lever operated



Filter Model Number	Tank Conn	Filter Area (SQ.FT.)	Max Flow (G.P.M.)	Dimensions						Tank Shipping Weight (LBS)
				A	B	C	D	E	F	
36CCFG-3	3	6.5	130	58	37	43 1/4	37 1/4	11 7/8	11 7/8	88
42CCFG-3	3	9.0	180	64	43	44	38	13 3/4	13 3/4	111
48CCFG-3	3	11.8	236	70	49	57 3/4	47 1/4	14 1/8	21 5/8	189



\*Gravel used in tanks with 3" connections only.

STANDARD MEDIA CHART				
Filter Model Number	Gravel (CU. FT.)	Filter Sand (CU. FT.)	Gravel Depth	Sand Depth
36CCFG-3	2	6	5	11
42CCFG-3	3	9	7	11
48CCFG-3	3	16	7	17

CLINOPURE-80™ HYBRID MEDIA CHART						
Filter Model Number	Gravel (CU. FT.)	Filter Sand (CU. FT.)	Clinopure-80 (CU. FT.)	Gravel Depth	Sand Depth	Clinopure-80 Depth
36CCFG-3	2	2	6	5	5	10
42CCFG-3	3	3	10	6	4	12
48CCFG-3	3	9	12	7	9	12

All dimensions are in inches.

