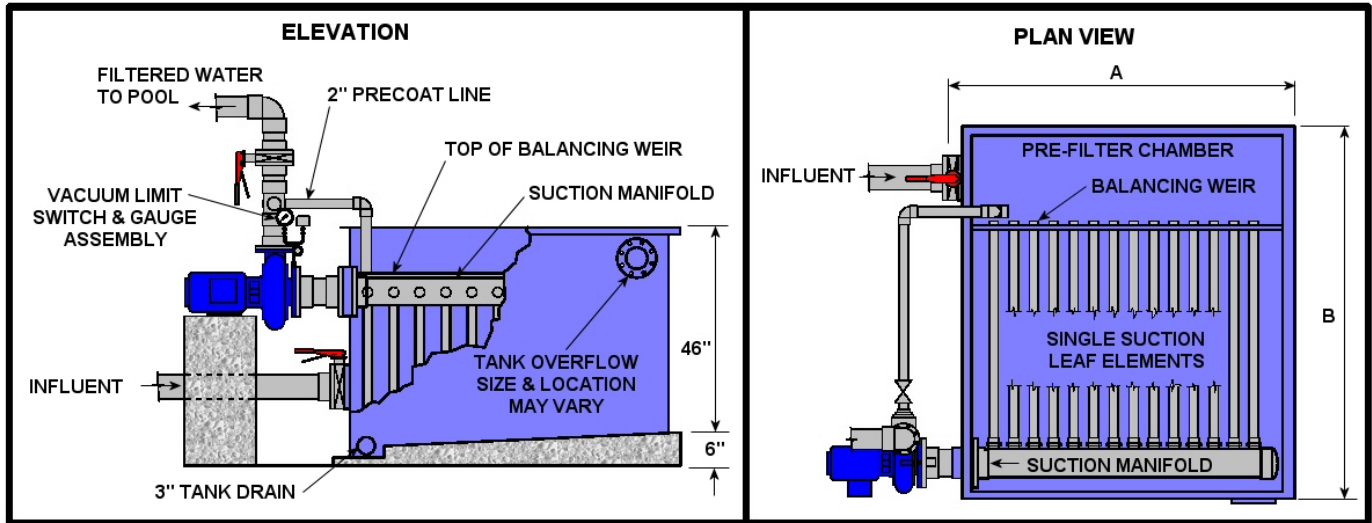


Vacuum Diatomaceous Filters

Single Suction Leaf Style (Model L)



NOTE: PLUMBING AND EQUIPMENT OUTSIDE OF FILTER TANK ARE SHOWN FOR REFERENCE ONLY. LAYOUT AND SIZE OF FITTINGS AND PLUMBING MAY VARY.

Filter Model Number	Filter Area (SQ.FT.)	Filter Flow Rate		Dimensions				
		1.5 G.P.M. Per SQ.FT. (No Slurry Feed)	2.0 G.P.M. Per SQ.FT. (No Slurry Feed)	Filter Tank		Line Sizes		
				A	B	Influent	Suction Manifold	Filtered Water
7L-94	94.5	189	236	42	71	6	4	3
8L-108	108	216	270	46	71	6	6	3
9L-121	121.5	243	303	50	71	8	6	4
10L-135	135	270	337	54	71	8	6	4
11L-148	148.5	297	371	58	72	8	6	4
12L-162	162	324	405	62	72	8	6	4
13L-175	175.5	351	438	66	72	8	6	4
14L-189	189	378	472	70	72	8	6	4
15L-202	202.5	405	506	74	72	8	6	4
16L-216	216	432	540	78	74	8	6	4
17L-229	229.5	459	573	82	74	8	6	4
18L-243	243	486	607	86	74	8	6	4
19L-256	256.5	513	641	90	74	8	6	4
20L-270	270	540	675	94	74	8	6	4
21L-283	283.5	567	708	98	74	10	8	4
22L-297	297	594	742	102	74	10	8	4
23L-310	310.5	621	776	106	74	10	8	4
24L-324	324	648	810	110	74	10	8	4
25L-337	337.5	675	843	114	74	10	8	4
26L-350	350	700	875	118	74	10	8	6
27L-363	363.5	727	908	122	74	10	8	6
28L-377	377	754	942	126	74	10	8	6
29L-390	390.5	781	976	130	76	10	8	6
30L-404	404	808	1010	134	76	10	8	6

All dimensions are in inches.

Tank Construction Options:

- Stainless Steel
- Fiberglass
- Carbon Steel
- Concrete



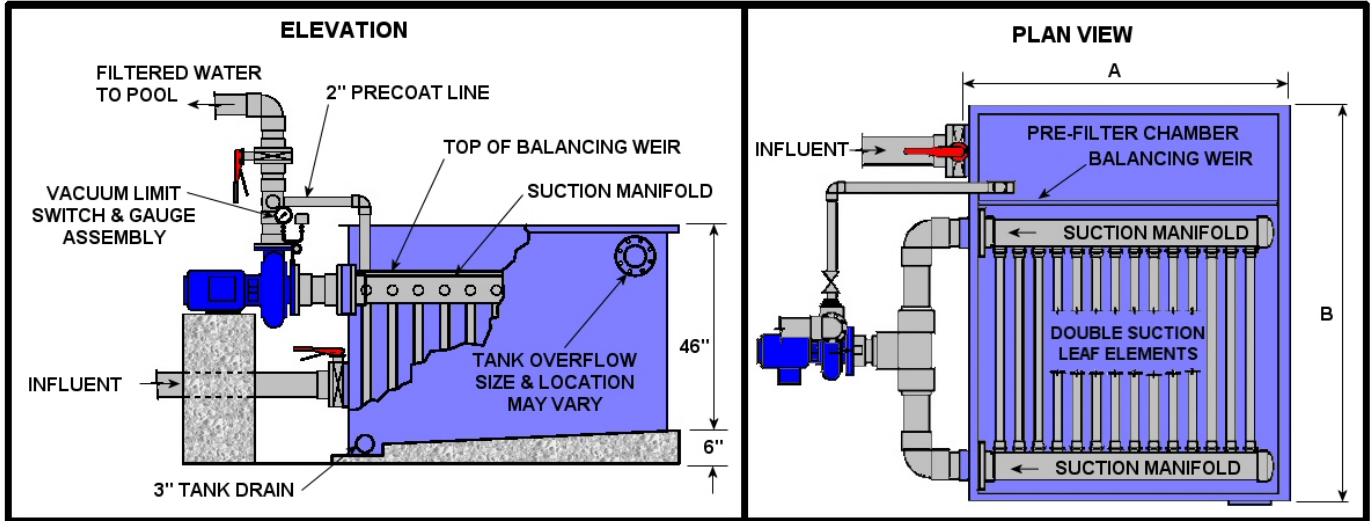
Neptune-Benson™
Discover the World of Aquatopia.



6 Jefferson Drive, Coventry, RI 02816
(800) 832-8002 (401) 821-2200 Fax: (401) 821-7129
aquatopia@neptunebenson.com www.neptunebenson.com

Vacuum Diatomaceous Filters

Double Suction Leaf Style (Model LL)



NOTE: PLUMBING AND EQUIPMENT OUTSIDE OF FILTER TANK ARE SHOWN FOR REFERENCE ONLY. LAYOUT AND SIZE OF FITTINGS AND PLUMBING MAY VARY.

Filter Model Number	Filter Area (SQ.FT.)	Filter Flow Rate		Dimensions				
		1.5 G.P.M. Per SQ.FT. (No Slurry Feed)	2.0 G.P.M. Per SQ.FT. (No Slurry Feed)	Filter Tank		Line Sizes		
				A	B	Influent	Suction Manifold	Filtered Water
10LL-220	220	440	550	55	111	6	8	6
11LL-242	242	484	605	59	111	6	8	6
12LL-264	264	528	660	63	111	6	10	6
13LL-286	286	572	715	67	111	6	10	6
14LL-308	308	616	770	71	111	6	10	6
15LL-330	330	660	825	75	111	6	10	6
16LL-352	352	704	880	79	111	6	10	6
17LL-374	374	748	935	83	111	6	10	6
18LL-396	396	792	990	87	111	6	10	6
19LL-418	418	836	1045	91	115	8	10	6
20LL-440	440	880	1100	95	115	8	10	6
21LL-462	462	924	1155	99	115	8	10	6
22LL-484	484	968	1210	103	115	8	12	6
23LL-506	506	1012	1265	107	115	8	12	8
24LL-528	528	1056	1320	111	115	8	12	8
25LL-550	550	1100	1375	115	115	8	12	8
26LL-572	572	1144	1430	119	115	8	12	8
27LL-594	594	1188	1485	123	115	8	12	8
28LL-616	616	1232	1540	127	115	8	12	8
29LL-638	638	1276	1595	131	115	8	12	8
30LL-660	660	1320	1650	135	115	8	12	8
31LL-682	682	1364	1705	139	115	8	12	8
32LL-704	704	1408	1760	143	115	8	12	8
33LL-726	726	1452	1815	147	115	10	12	8
34LL-748	748	1496	1870	151	115	10	12	8
35LL-770	770	1540	1925	155	115	10	12	8
36LL-792	792	1584	1980	159	115	10	12	8

All dimensions are in inches.

Tank Construction Options:

- Stainless Steel
- Fiberglass
- Carbon Steel
- Concrete



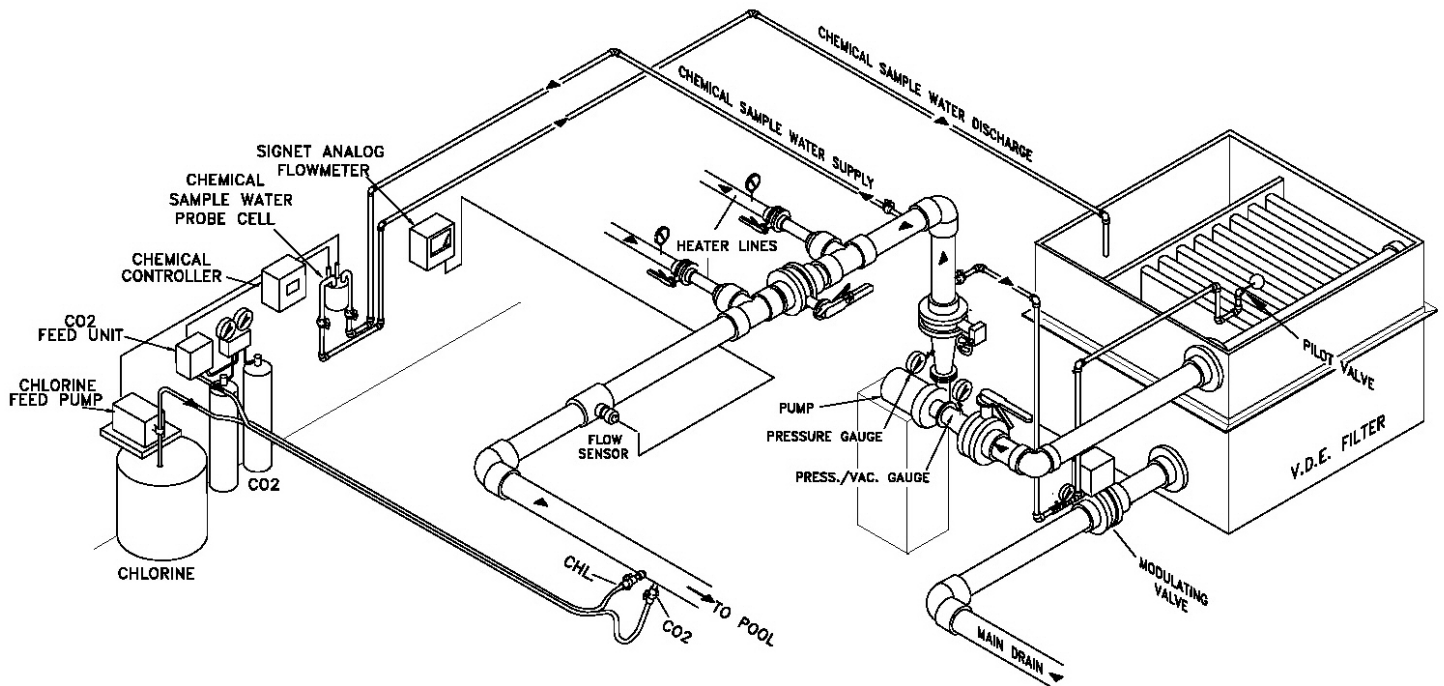
Neptune-Benson™
Discover the World of Aquatopia.



6 Jefferson Drive, Coventry, RI 02816
(800) 832-8002 (401) 821-2200 Fax: (401) 821-7129
aquatopia@neptunebenson.com www.neptunebenson.com

Vacuum Diatomaceous Filters

Filtration System Schematic



Below Grade Installation.

Other installation drawings available.