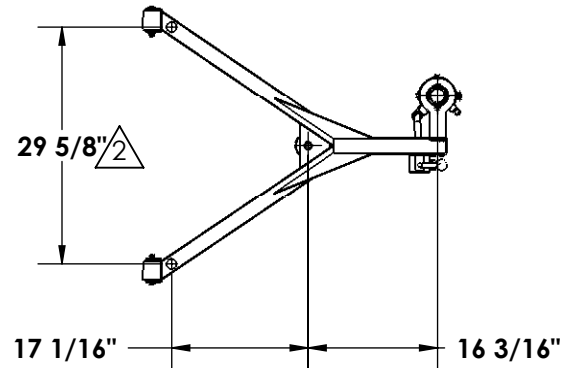
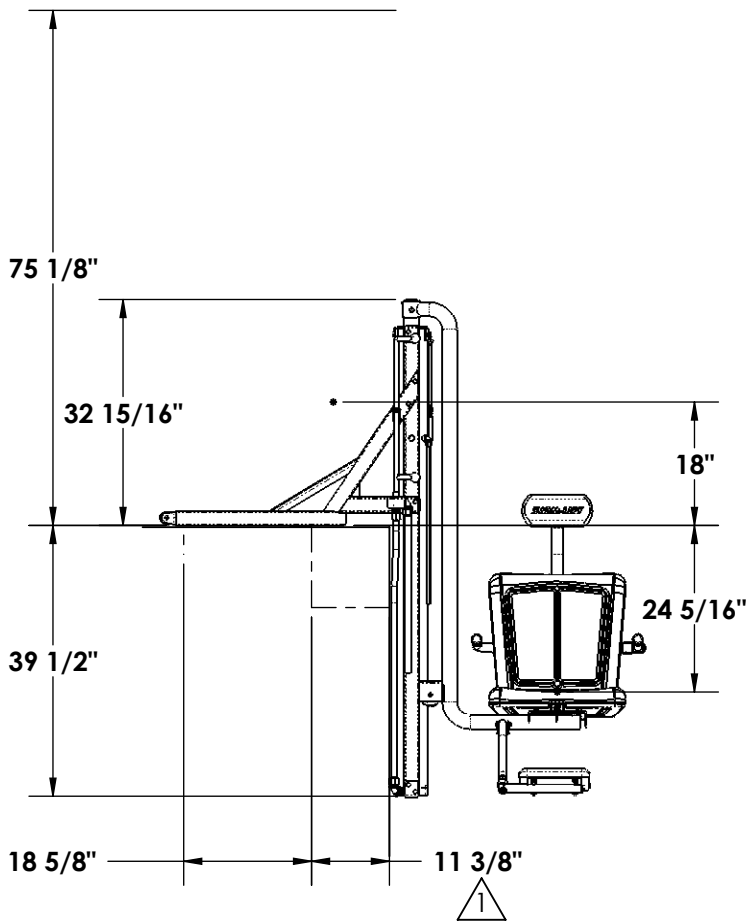
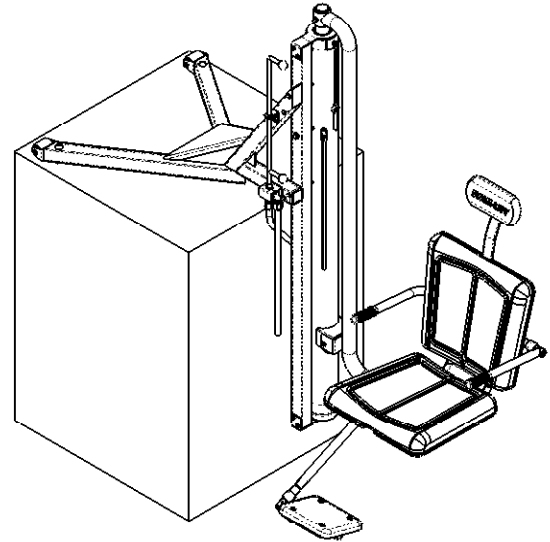
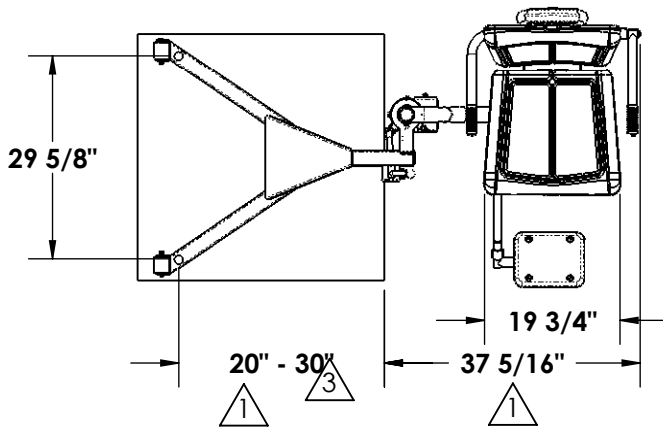


**SWIM LIFT  
MODEL -  
LOLO WP400 BASESTAND 20"-30"**

LIFT ROTATION  
OUT IN



**2** Note: Clear deck space shall be provided parallel to the water 36" wide x 48" minimum from a line located 2" behind the rear edge of the seat. (15.8.5.3 ADA Guidelines)

**3** Note: Preferred setback of 28" from the edge of the pool wall to the anchor locations

**1** Dimensions vary with specific applications.

\*Note: Specifications are nominal and are subject to change.

Please contact Spectrum Products for custom applications.

**SPECTRUM**  
Products

7100 Spectrum Lane  
Missoula, Montana 59808  
406.542.9781 \* 800.791.8056  
Fax: 406.542.1158  
www.spectrumproducts.com

**ENGINEERING DATA**

PRODUCT:	LOLO WP400 BASESTAND 20"-30"
PRODUCT #:	27550-00
REVISION:	B
MATERIAL:	300 SERIES STAINLESS STEEL

## **Swim-Lift® , Lolo WP400, Long Base, 0-6" Water Draft, P/N 27550-00**

The Swim-Lift® Lolo assisted access lift is designed for use with in-ground swimming pools having no less than 40" of total water depth (deck to floor of pool). This lift is self-operated and hydraulically powered. The lift is rated at a 400-lb lifting capacity with a pressure of 55-psi. Transport wheels allow the unit to be removed and stored when not in use.

### **Components:**

#### **Lift**

The lifting mechanism is a 4 ½" stainless steel cylinder incorporating a hemispherical shaped piston to facilitate 42" of vertical travel. The base stand, which is to be secured to the deck at two locations 29 5/8" O.C., accommodates anchor set back locations of 20 – 30".

The lift requires two anchors, and includes two 1" threaded bolts for use in securing the lift to the anchor assembly.

- The preset anchor assembly includes two jig-mounted threaded in-beds that are located 29 5/8" O.C. The preset assembly includes a grounding lug for proper bonding.
- The retrofit anchor assembly includes two threaded in-beds, each with a 3/8" expansion anchor secured at the bottom of the acme nut by a 3/8" bolt.

A valve control handle requiring less than 5-lb of force to operate is to be positioned at both deck and pool levels adjacent to the seat at the resting position to facilitate independent operation. The valve control does not require continuous manual force to operate.

The self-adjusting, swiveling, flip-up footrest measures 10" x 8". The stainless steel flip-up armrest provides stability to the user during lift movement and is structurally capable of supporting the user during transport to or from a wheelchair.

#### **Seat Assembly**

The seat is 18" high, 18" deep. The seat surface is flat to ease transfer from a wheelchair. The seat belt assembly employs wide synthetic webbed belts along with a quick release, non-metallic cam-lock buckle.

#### **Water Box**

Spectrum recommends a stainless steel water box to be installed in the pool deck adjacent to the installation site of the lift. The box is 8" wide x 8" long x 6 1/8" deep and features a vandal resistant cover. It is provided with a 1 1/8" diameter hole in the side wall to allow for a supply line. A hose spigot should be plumbed into the box allowing for connection of a flexible hose. The removable lid has a 1 1/8" diameter hole for the hose to pass through.

#### **Pressure Amplification System**

The pressure amplification system consists of a ½-HP, single-phase, 60-cycle, 3450 RPM stainless steel centrifugal pump. The unit has a performance rating of 5-GPM at 60-psi. The system employs a hydro-pneumatic pressure-sustaining tank having a maximum working pressure of 100-psi with a ¾" NPTM tank as a holding reservoir.

#### **Warranty**

Two year limited warranty.



7100 Spectrum Lane ~ Missoula, Montana 59808  
800.791.8056 ~ 406.542.9781  
Fax: 406-542-1158  
[www.spectrumproducts.com](http://www.spectrumproducts.com)