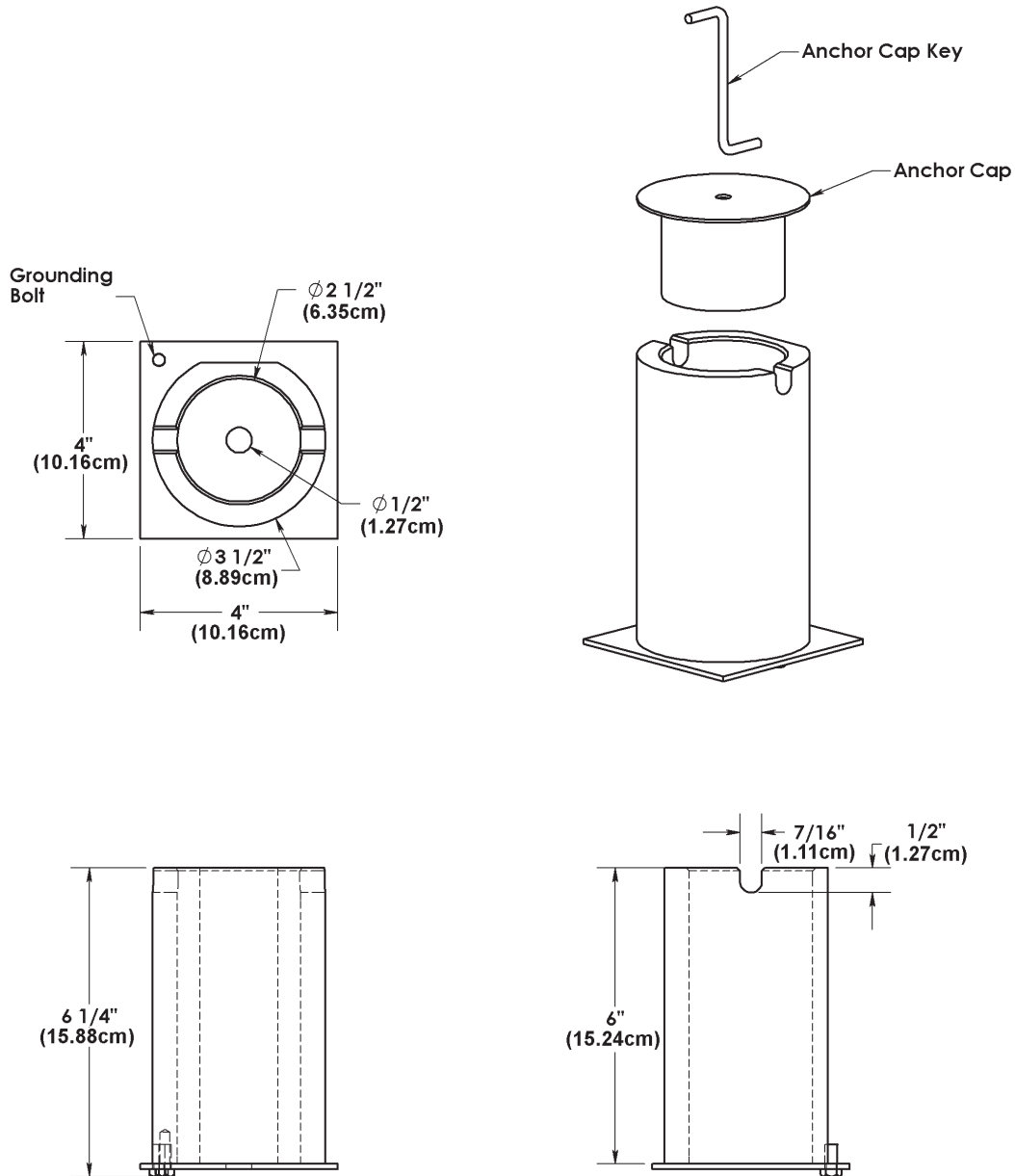


# STARTLINE™ SERIES GRIZZLY/GROWLER ANCHOR



- APPROVED
- REVISE AND RESUBMIT
- APPROVED AS CORRECTED
- REJECTED
- SUBMIT SPECIFIED ITEM

Approval is only for conformance with the design concept of the Project and compliance with the information given in the Contract Documents. Contractor is responsible for dimensions to be confirmed and correlated at the job site for information that pertains solely to the fabrication process or to techniques of construction, and for coordination of the work of all trades.

Signature \_\_\_\_\_ Date \_\_\_\_\_

\*Note: Drawings not to scale. Specifications are nominal and are subject to change.



7100 Spectrum Lane  
Missoula, Montana 59808  
406.542.9781 • 800.791.8056  
Fax: 406.542.1158  
www.spectrumproducts.com

## ENGINEERING DATA

Product:	Grizzly/Growler Anchor
Product #:	21700-00
Date:	10/2006
Data Sheet #:	SA 21700.1006

## **Anchor, Grizzly/Growler SP, part number 21700-00**

### **Anchor Body**

The anchor shall be fabricated from bronze and 300 series stainless steel. The anchor body shall be machined from bronze bar stock and shall be 3 ½" (8.89cm) O. D. x 2 ½" (6.35cm) I. D. Two (2) 7/16" (1.11cm) diameter slots shall be machined into the top surface of the anchor to serve as the starting platform-locating index. The bottom plate of the anchor shall be stainless steel and shall be bolted in place. A flat shall be machined on one side of the anchor body providing anti-rotation protection.

### **Plug**

A stainless steel slip cap shall be provided. The welded portion of the cap shall be of the MIG type and applied using type 308-welding rod for corrosion resistance. The cap will fill the anchor opening when the starting platform is not in use. A stainless steel cap removal tool shall be provided.

### **Bonding**

A bonding screw shall be provided. The bonding screw will be 18-8 stainless steel.

### **Warranty**

Two year limited warranty.



7100 Spectrum Lane ~ Missoula, Montana 59808  
800.791.8056 ~ 406.542.9781  
Fax: 406-542-1158  
[www.spectrumproducts.com](http://www.spectrumproducts.com)