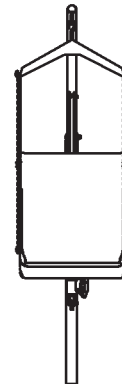
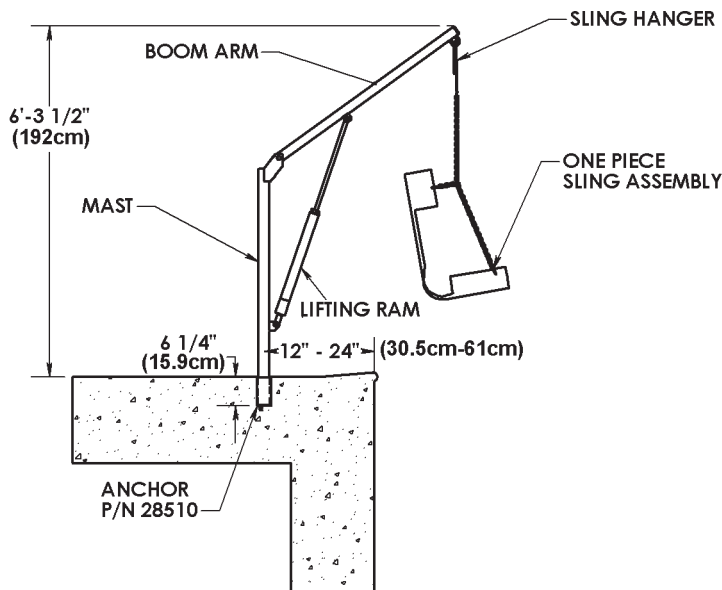
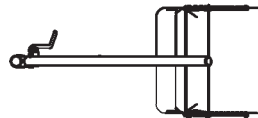
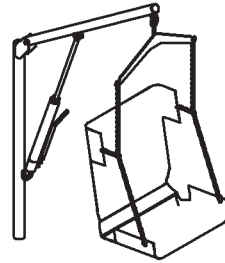


**SWIM-LIFT® SERIES  
MODEL - ELKHORN MP400**



- APPROVED
- REVISE AND RESUBMIT
- APPROVED AS CORRECTED
- REJECTED
- SUBMIT SPECIFIED ITEM

Approval is only for conformance with the design concept of the Project and compliance with the information given in the Contract Documents. Contractor is responsible for dimensions to be confirmed and correlated at the job site for information that pertains solely to the fabrication process or to techniques of construction, and for coordination of the work of all trades.

Signature \_\_\_\_\_ Date \_\_\_\_\_

*\*Note: Drawings not to scale. Specifications are nominal and are subject to change.*



7100 Spectrum Lane  
Missoula, Montana 59808  
406.542.9781 • 800.791.8056  
Fax: 406.542.1158  
www.spectrumproducts.com

**ENGINEERING DATA**

Product:	Swim-Lift® Series Model - Elkhorn MP400
Product #:	28500
Date:	9/2006
Data Sheet #:	SA 28500.906

## **Swim-Lift® , Elkhorn, part number 28500**

The assisted access lift shall be designed for use with above ground or in-ground swimming pools and/or spas. It shall be attendant operated, hydraulically powered, and capable of transfer (rotating) over a wall of no more than 31" of total height. It shall be designed to support a 400 lb. load with a 1.5 safety factor.

The assisted access lift shall consist of the following components:

### **Hydraulic Ram**

The lifting mechanism shall be a stainless steel hydraulic ram. It shall have a lifting capacity of 400 lb. with a 1.5 safety factor and shall require less than 40 lbs. of force to operate.

### **Boom Arm and Mast**

The mast arm shall be constructed of 2.375" O.D. x 2.067" I.D. 300 series stainless steel tube. The boom arm shall be 1.90" O.D. x 1.50" I.D., 300 series stainless steel tube. The unit shall be designed for installation at a range of 12-24" from the pool wall.

### **Sling assembly**

The sling assembly shall be one-piece fabricated of open-mesh Dacron. The sling shall be designed specifically for the seated transfer of user from deck to water and water to deck. The sling shall incorporate four (4) fold over sleeves to receive stainless steel support bars. Support bars shall allow for connection to a 3/16" stainless steel chain.

### **Anchoring**

The anchor shall be constructed of 300 series stainless steel. It shall be 6" deep, have a UHMW sleeve insert, and be equipped with a stainless steel grounding bolt. A stainless steel slip cap shall also be provided.

### **Certification**

Certified and stamped engineering drawings and calculations – both load and seismic – supporting the lift's load capacity claims shall be provided.

### **Warranty**

Two year limited warranty.



7100 Spectrum Lane ~ Missoula, Montana 59808  
800.791.8056 ~ 406.542.9781  
Fax: 406-542-1158  
[www.spectrumproducts.com](http://www.spectrumproducts.com)