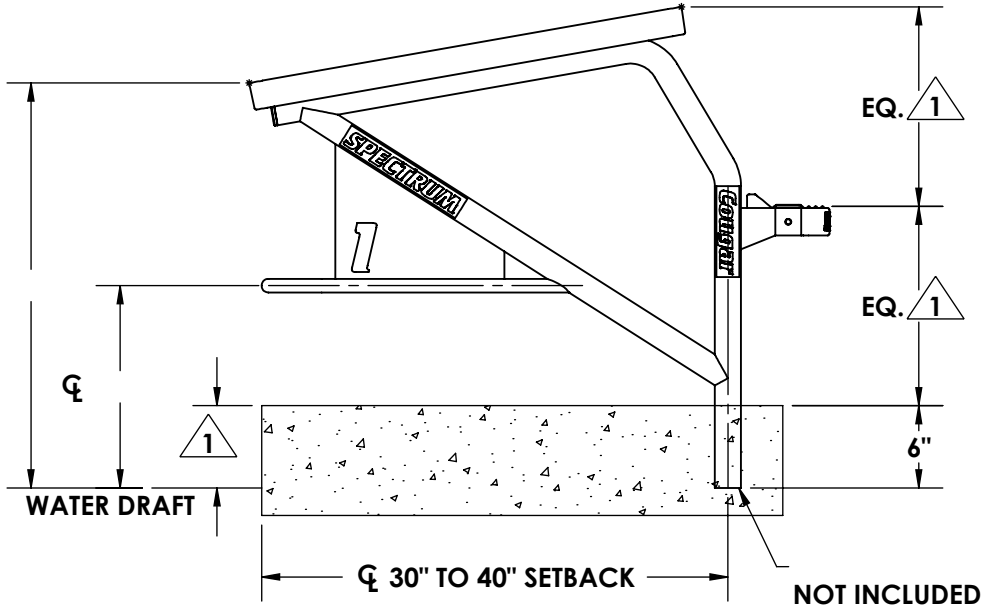
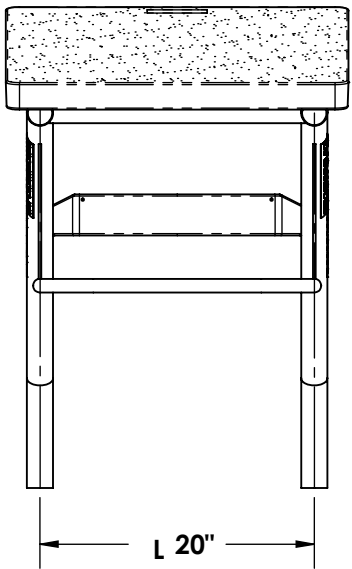
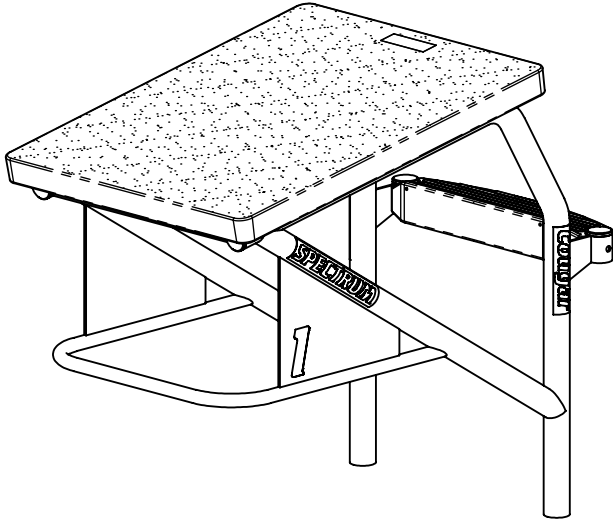
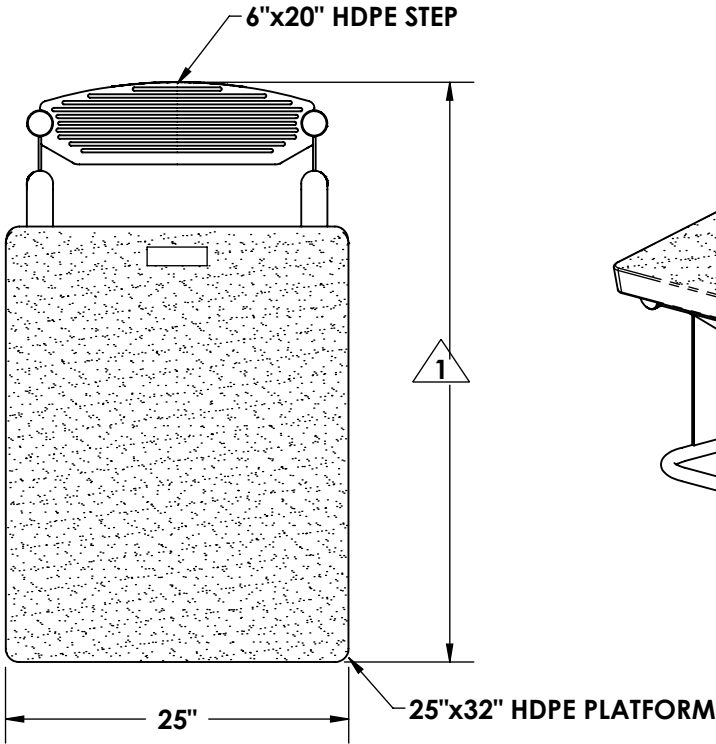


**STARTLINE  
MODEL - COUGAR REAR STEP DP**



**1** DIMENSIONS VARY WITH SPECIFIC APPLICATIONS.  
SPECIFICATIONS ARE NOMINAL AND ARE SUBJECT TO CHANGE.  
PLEASE CONTACT SPECTUM PRODUCTS FOR CUSTOM APPLICATIONS.

**SPECTRUM**  
Products

7100 Spectrum Lane  
Missoula, Montana 59808  
406.542.9781 \* 800.791.8056  
Fax: 406.542.1158  
www.spectrumproducts.com

**ENGINEERING DATA**

COUGAR REAR STEP DP	
PRODUCT #:	
REVISION:	A
MATERIAL:	300 SERIES STAINLESS STEEL

## **Starting platform Cougar (rear mount), part number 21145**

The Cougar starting platform shall be of the rear mount type, dual post design, allowing for ease of removal, incorporating a stainless steel anchor assembly. Anchor cover shall be provided for use with the anchors when the starting platforms are removed.

The starting platform shall consist of the following components:

### **Platform Frame**

The platform frame is to be fabricated of 1.90" O.D. x 0.145" wall thickness, 300 series stainless steel and is to be formed in one continuous length, no welded mitered joints will be allowed. A backstroke bar shall be provided and shall be located parallel to the top platform front edge. The backstroke bar shall be 300 series stainless steel and shall be 20" wide and it will be located 14.75" from the water surface. Access step attachment brackets shall be 300 series stainless steel. All welds associated with the fabrication process are to be of the fusion T.I.G. type.

### **Platform Top**

The top shall be 24" wide x 32" deep. The platform top shall slope toward the pool edge at a ten (10) -degree angle. The platform top shall be rotationally molded using U.V. stabilized high-density polyethylene and shall incorporate a molded in, non-slip, textured surface.

### **Step**

An access step shall be provided and shall be 20" wide, having 83.25-square inches of surface area, and shall be equipped with a step reference locator. The tread top shall have a molded in non-slip top surface, and shall incorporate molded nut inserts, eliminating the need for exterior nuts and sharp surfaces. The treads shall be rotationally molded using U.V. stabilized high-density polyethylene.

### **Anchor**

Two (2) - 2.06" O. D. x 1.90" I.D., 300 series stainless steel anchor sleeves, shall support the starting platform. The sleeves shall be mounted to a 12-gauge, 300 series stainless channel; sleeves will be mounted 20-inches on centerline. The top of the sleeves shall be stabilized, using 3/8", stainless steel rod. The anchor shall be fitted with a grounding bolt for bonding. Tamper-resistant lids with removal tools shall be provide for each anchor of the anchor sleeves.

### **Numbering**

Lane numbers shall be applied so that they are visible from all four sides of the platform. The numbers shall be dark blue in color, shall be chemical and UV resistant vinyl.

### **Warranty**

Two year limited warranty.



7100 Spectrum Lane ~ Missoula, Montana 59808  
800.791.8056 ~ 406.542.9781  
Fax: 406-542-1158  
[www.spectrumproducts.com](http://www.spectrumproducts.com)