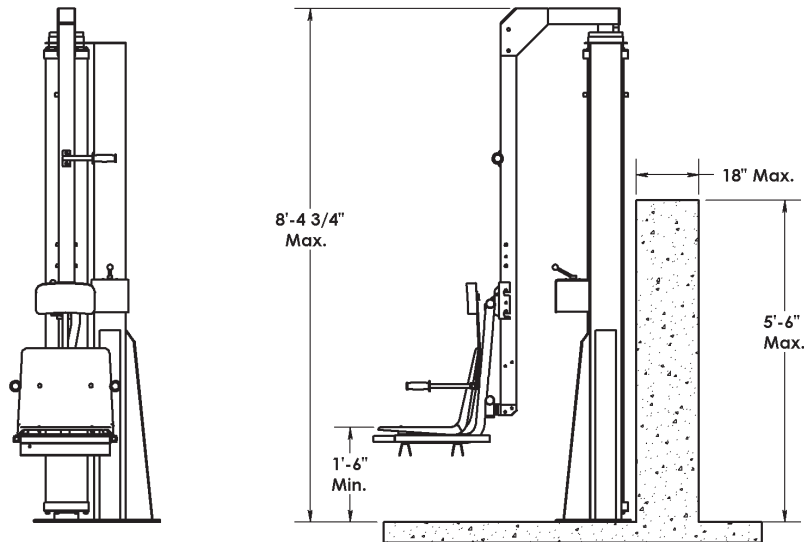
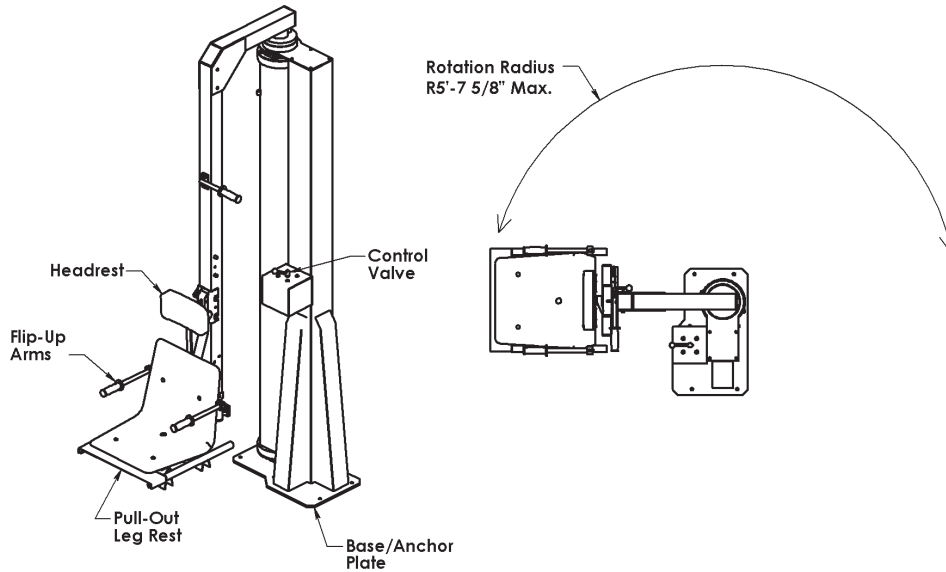


## SWIM-LIFT® SERIES MODEL - BANNACK WP500



- APPROVED
- REVISE AND RESUBMIT
- APPROVED AS CORRECTED
- REJECTED
- SUBMIT SPECIFIED ITEM

Approval is only for conformance with the design concept of the Project and compliance with the information given in the Contract Documents. Contractor is responsible for dimensions to be confirmed and correlated at the job site for information that pertains solely to the fabrication process or to techniques of construction, and for coordination of the work of all trades.

Signature \_\_\_\_\_ Date \_\_\_\_\_

*\*Note: Drawings not to scale. Specifications are nominal and are subject to change.*

**SPECTRUM**  
Products®

7100 Spectrum Lane  
Missoula, Montana 59808  
406.542.9781 • 800.791.8056  
Fax: 406.542.1158  
www.spectrumproducts.com

### ENGINEERING DATA

Product:	Swim-Lift® Series Model - Bannack
Product #:	26155
Date:	9/2006
Data Sheet #:	SA 26155.906

## **Swim-Lift®, Bannack WP500, part number 26155**

The assisted access lift shall be designed for use with aboveground swimming pools and/or spas no more than 66" in overall height. The lift is designed to clear pool walls of no more than 18" thick. The unit shall be of the assisted-operation, manual rotation type and shall be powered by water pressure; pressure of no more than 55 pounds per square inch shall be required for the lift's operation. The unit shall be designed to support a 500-pound load with a 1.5 safety factor.

The assisted access lift shall consist of the following components:

### **Lift**

The lifting mechanism shall be a 6" PVC, open-atmosphere cylinder. The fixed-position base stand is to be secured to the deck at six locations.

The access lift shall incorporate the use of six (6) anchors. The lift shall include six (6) threaded bolts for use in securing the lift to the anchor assembly. The anchor assembly shall include six (6) threaded in-beds, each with a 1/2" expansion anchor secured at the bottom of the acme nut by a 3/8" bolt.

- A valve control handle shall be positioned at deck side to facilitate assisted operation. A rotation handle shall be positioned on the seat arm to facilitate manual rotation.
- All metallic components of the lift shall be fabricated of 300 series stainless steel.

### **Chair**

The 19 inch wide chair shall be equipped with two (2) flip-up arms, a headrest, a pullout leg rest, and an adjustable seat belt.

### **Water Box**

A stainless steel water box shall be installed in the pool deck adjacent to the installation site of the assisted access-lifting device. The box shall be 8" wide x 8" long x 6 1/8" deep and shall be complete with vandal proof cover. It shall be provided with a 1 1/8" diameter hole in the sidewall to allow for a supply line. A hose spigot shall be plumbed into the box, allowing for connection of a flexible hose. A 1 1/8" diameter hole shall be provided in the removable lid for the hose to pass through.

### **Pressure Amplification System**

A pressure amplification system shall be used to assure constant water pressure to the lifting mechanism. It shall include a 3/4 horse power booster pump, 19 gallon pressure tank, pressure gauge, and pressure regulator. The pressure amplification system is to be located in the equipment mechanical room.

### **Warranty**

Two year limited warranty.



7100 Spectrum Lane ~ Missoula, Montana 59808  
800.791.8056 ~ 406.542.9781  
Fax: 406-542-1158  
[www.spectrumproducts.com](http://www.spectrumproducts.com)